



Consistent with LEED® goals & Green Globes™ criteria for light pollution reduction



Autobahn Series ATBMicro Roadway Lighting

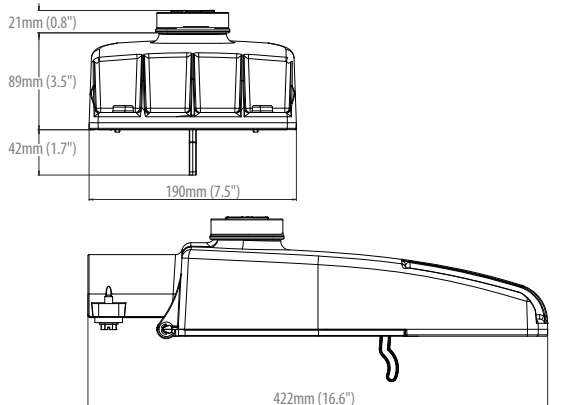
PRODUCT OVERVIEW



Applications:

- Roadways
- Off ramps
- Residential streets
- Parking lots

DIMENSIONS



Effective Projected Area (EPA): The EPA for the ATBMicro is 0.36 sq. ft. Approx. Wt. = 8 lbs.

STANDARDS

DesignLights Consortium® (DLC) Premium qualified product. Not all versions of this product may be DLC Premium qualified. Please check the DLC Qualified Products List at www.designlights.org/QPL to confirm which versions are qualified.

Color temperatures of $\leq 3000\text{K}$ must be specified for International Dark-Sky Association certification.

Rated for -40°C to 40°C ambient

CSA Certified to U.S. and Canadian standards

Complies with ANSI: C136.2, C136.10, C136.14, C136.31, C136.15, C136.37

GOVERNMENT PROCUREMENT — BAA – Buy America(n) Act: Product with the BAA option qualifies as a domestic end product under the Buy American Act as implemented in the FAR and DFARS. Product with the BAA option also qualifies as manufactured in the United States under DOT Buy America regulations.

BABA – Build America Buy America: Product with the BAA option also qualifies as produced in the United States under the definitions of the Build America, Buy America Act.

Please refer to www.acuitybrands.com/buy-american for additional information.

Note: Specifications subject to change without notice. Actual performance may differ as a result of end-user environment and application.

Features:

OPTICAL

The Autobahn's new molded silicone optics provide exceptional performance. Silicone optics are superior to other polymeric materials in the areas of; optical efficiency, thermal performance, and reduction in dirt accumulation, all of which can lead to long term lumen degradation and a shift in optical distribution. Also, because silicone allows for the molding of fine details as well as thick sections, it produces the most crisp, clean and well-defined lighting distributions available. Silicone optics paired with modern LED's allow the Autobahn to take full advantage of both technologies.

Same Light: Performance is comparable to 70-150W HPS roadway luminaires.

White Light: Correlated color temperature - 4000K, or optional 2700K, 3000K or 5000K, all 70 CRI minimum.

Unique IP66 rated LED light engines provided 0% uplight and restrict backlight to within sidewalk depth, providing optimal application coverage and optimal pole spacing. Available in Type II, III, IIII, IV, and V roadway distributions.

ELECTRICAL

Expected Life: LED light engines are rated $>100,000$ hours at 25°C , L70. Electronic driver has an expected life of 100,000 hours at a 25°C ambient.

Lower Energy: Saves an expected of 40-60% over comparable HID luminaires.

Robust Surge Protection: Two different surge protection options provide a minimum of ANSI C136.2 10kV/5kA protection. 20kV/10kA protection is also available.

Luminaire ships with a 0-10v dimmable driver. Luminaire is continuous and step dimming capable via AO option or controls installed on P7 photocontrol receptacle option.

MECHANICAL

Includes standard AEL lineman-friendly features such as tool-less entry, 3 station terminal block and quick disconnects. Bubble level located inside the electrical compartment for easily leveling at installation.

Rugged die-cast aluminum housing and door are polyester powder-coated for durability and corrosion resistance. Rigorous five-stage pre-treating and painting process yields a finish that achieves a scribe creepage rating of 7 (per ASTM D1654) after over 5000 hours exposure to salt fog chamber (operated per ASTM B117).

Mast arm mount is adjustable for arms from 1-1/4" to 2" (1-5/8" to 2-3/8" O.D.) diameter. Provides a 3G vibration rating per ANSI C136.31

CONTROLS

NEMA 3 pin photocontrol receptacle is standard, with the Acuity designed ANSI standard 7 pin receptacle optionally available.

Premium solid state locking style photocontrol - PCSS (10 year rated life) Extreme long life solid state locking style photocontrol - PCLL (20 year rated life).

Optional onboard Adjustable Output module allows the light output and input wattage to be modified to meet site specific requirements, and also can allow a single fixture to be flexibly applied in many different applications.

Autobahn Series ATBMicro Roadway Lighting

ORDERING INFORMATION

Series	Performance Packages	Voltage	Optics
ATBMic Autobahn LED Roadway	P101 2,889 lumens nominal ⁶ P102 3,400 lumens nominal P103 4,016 lumens nominal P104 4,959 lumens nominal P105 5,897 lumens nominal P106 6,755 lumens nominal P151 4,320 lumens nominal P152 5,077 lumens nominal P153 6,041 lumens nominal P154 7,399 lumens nominal P155 8,158 lumens nominal P156 8,706 lumens nominal	MVOLT Multi-volt, 120-277V 347 347V ^{4,5} 480 480V ^{4,5}	R2 Roadway Type II R3 Roadway Type III R3L Roadway Type III Long R4³ Roadway Type IV R5 Roadway Type V

Options

Color Temperature (CCT)

(Blank)	4000K CCT, 70 CRI Min.
27K	2700K CCT, 70 CRI Min.
3K	3000K CCT, 70 CRI Min.
5K	5000K CCT, 70 CRI Min.

Paint

(Blank)	Gray (Standard)
BK	Black
BZ	Bronze
DDB	Dark Bronze
GI	Graphite
WH	White
GN	Green

Surge Protection

(Blank)	Standard 20kV/10kA SPD ¹
MP	MOV Pack 10kV/5kA

Terminal Block

(Blank)	Terminal Block (Standard)
----------------	---------------------------

Misc.

BL	External Bubble Level
HSS	House-Side Shield
NL	Nema Label
XL	Not CSA Certified
UMR-XX	8" Horizontal Arm for Round Pole, Painted to match Fixture
UMS-XX	8" Horizontal Arm for Square Pole, Painted to match Fixture
BAA	Buy America(n) Act and/or Build America Buy America Qualified

UMR-GALV	8" Horizontal Arm for Round Pole, Galvanized
UMS-GALV	8" Horizontal Arm for Square Pole, Galvanized
PW#	Pre-wire, # indicates wire length in one foot increments from 1' thru 10' (e.g. PW4 = 4' of pre-wire)

Controls

(Blank)	3 Pin NEMA Photocontrol Receptacle (Standard)
P7²	7 Pin Photocontrol Receptacle (Dimmable Driver Included)
NR	No Photocontrol Receptacle
AO	Field Adjustable Output
PCSS¹	Solid State Lighting Photocontrol (120-277V)
PCLL	Solid State Long Life Photocontrol
SH	Shorting Cap

Packaging

(Blank)	Single Unit (Standard)
JP	Job Pack (90/pallet)

Accessories:

House side shields for field installation
ATBMICP10XR2R3LR5HSS for use with P101 - P106, R2, R3L, & R5 distribution
ATBMICP10XR3R4HSS for use with P101 - P106, R3 & R4 distribution
ATBMICP15XR2R3LR5HSS for use with P151 - P156, R2, R3L, & R5 distribution
ATBMICP15XR3HSS for use with P151 - P156, R3 distribution

Light Trespass Side Shields
ATBMICHSLS ATBMC House Side Light Trespass Shield
ATBMICSSLS ATBMC Street Side Light Trespass Shield

Notes

- 1 Not available in 347 or 480V.
- 2 Not available with NR.
- 3 Not available with P151 - P156 performance packages.
- 4 Not available with P101 performance package.
- 5 Must select MP surge protection option.
- 6 Not available with 347V or 480V.



AEL Headquarters, One Lithonia Way, Conyers Georgia 30012
 www.americanelectricalighting.com Phone: 1-866-HOLOPHANE
 Email: TechSupport-Lighting@AcuityBrands.com
 © 2018-2024 Acuity Brands Lighting, Inc. All Rights Reserved. ATBMic 04/16/24

Warranty Five-year limited warranty. This is the only warranty provided and no other statements in this specification sheet create any warranty of any kind. All other express and implied warranties are disclaimed. Complete warranty terms located at: www.acuitybrands.com/support/warranty/terms-and-conditions

Note: Actual performance may differ as a result of end-user environment and application. All values are design or typical values, measured under laboratory conditions at 25 °C. Specifications subject to change without notice.
 Please contact your sales representative for the latest product information.

Autobahn Series ATBMicro Roadway Lighting

PERFORMANCE PACKAGE

ATBMic	Distribution	Input Watts	2700K		3000K		4000/5000K	
			Lumens	LPW	Lumens	LPW	Lumens	LPW
P101	R2	20	2,652	134	2,733	137	2,910	148
	R3		2,636	134	2,716	138	2,822	148
	R3L		2,557	128	2,634	132	2,781	139
	R4		2,634	136	2,548	133	2,791	144
	R5		2,706	141	2,752	143	2,876	150
P102	R2	25	3,118	126	3,153	127	3,377	137
	R3		3,099	128	3,180	130	3,277	135
	R3L		2,985	119	3,151	126	3,247	130
	R4		2,980	121	2,928	119	3,158	128
	R5		3,181	131	3,253	133	3,371	138
P103	R2	29	3,654	125	3,731	127	3,952	135
	R3		3,631	125	3,735	128	3,915	135
	R3L		3,456	119	3,589	124	3,759	130
	R4		3,506	121	3,498	120	3,715	128
	R5		3,728	129	3,776	130	3,950	136
P104	R2	37	4,425	118	4,557	120	4,919	131
	R3		4,398	118	4,493	120	4,745	127
	R3L		4,243	115	4,392	119	4,616	125
	R4		4,278	118	4,278	117	4,533	125
	R5		4,515	125	4,566	126	4,784	132
P105	R2	45	5,216	116	5,407	118	5,712	127
	R3		5,184	116	5,342	120	5,597	125
	R3L		4,951	110	5,128	114	5,385	120
	R4		5,042	113	4,940	110	5,343	119
	R5		5,322	119	5,434	122	5,639	126
P106	R2	53	5,939	111	6,243	114	6,510	121
	R3		5,903	110	6,155	115	6,541	122
	R3L		5,661	107	5,835	110	6,158	116
	R4		5,833	111	5,728	110	6,181	118
	R5		6,060	116	6,140	118	6,421	123
P151	R2	30	4,062	133	4,025	133	4,327	142
	R3		4,038	133	4,046	134	4,268	140
	R3L		3,891	130	4,000	133	4,232	141
	R5		4,145	136	4,236	138	4,392	144
	R2		4,683	133	4,677	133	5,009	142
P152	R3	35	4,655	133	4,605	132	5,086	145
	R3L		4,505	129	4,588	131	4,900	140
	R5		4,778	137	4,825	137	5,063	145
	R2		5,176	120	5,611	130	5,962	138
	R3		5,145	119	5,498	128	5,779	134
P153	R3L	43	5,282	123	5,401	126	5,746	134
	R5		5,281	124	5,716	134	5,596	132
	R2		6,172	114	6,744	125	7,311	135
	R3		6,135	114	6,787	126	7,056	131
	R3L		6,339	117	6,509	121	6,895	128
P154	R5	54	6,297	117	6,674	123	6,673	124
	R2		7,242	119	7,530	124	8,184	135
	R3		7,198	119	7,370	121	7,732	128
	R3L		6,932	114	7,165	117	7,540	124
	R5		7,389	125	7,365	124	7,830	133
P155	R2	61	7,835	120	7,829	120	8,710	133
	R3		7,788	120	7,782	119	8,217	126
	R3L		7,453	115	7,647	118	8,107	125
	R5		7,994	124	7,827	120	8,471	131
	R2		7,994	124	7,827	120	8,471	131

Note: Specifications subject to change without notice.

ATBMic	15C	20C	25C	30C	35C	40C
LLD Multiplier	1.02	1.01	1.00	0.99	0.98	0.97

To calculate the LLD for a temperature other than 25°C, multiply the LLD @ 25°C (shown in the performance package table) by the LLD multiplier for the selected temperature.



AEL Headquarters, One Lithonia Way, Conyers Georgia 30012
 www.americanelectricalighting.com Phone: 1-866-HOLOPHANE
 Email: TechSupport-Lighting@AcuityBrands.com
 © 2018-2024 Acuity Brands Lighting, Inc. All Rights Reserved. ATBMic 04/16/24

Warranty Five-year limited warranty. This is the only warranty provided and no other statements in this specification sheet create any warranty of any kind. All other express and implied warranties are disclaimed. Complete warranty terms located at:
www.acuitybrands.com/support/warranty/terms-and-conditions

Note: Actual performance may differ as a result of end-user environment and application. All values are design or typical values, measured under laboratory conditions at 25°C. Specifications subject to change without notice.
 Please contact your sales representative for the latest product information.

Autobahn Series ATBMicro Roadway Lighting

PERFORMANCE PACKAGE

LLD @ 25°C

ATB Mic	R2, R3 Distributions 3000K & 4000K CCT			R2, R3 Distributions 2700K & 5000K CCT*			R3L, R4, & R5 Distributions Any CCT		
	50k Hours	75k Hours	100k Hours	50k Hours	75k Hours	100k Hours	50k Hours	75k Hours	100k Hours
P101	0.96	0.95	0.94	0.92	0.88	0.85	0.92	0.88	0.85
P102	0.96	0.95	0.94	0.92	0.88	0.85	0.92	0.88	0.85
P103	0.96	0.95	0.93	0.92	0.88	0.85	0.92	0.88	0.85
P104	0.96	0.95	0.93	0.92	0.88	0.85	0.92	0.88	0.85
P105	0.96	0.95	0.93	0.92	0.88	0.85	0.92	0.88	0.85
P106	0.96	0.95	0.93	0.92	0.88	0.84	0.92	0.88	0.84
P151	0.96	0.95	0.94	0.92	0.88	0.85	0.92	0.88	0.85
P152	0.96	0.95	0.93	0.92	0.88	0.85	0.92	0.88	0.85
P153	0.96	0.95	0.94	0.91	0.88	0.85	0.91	0.88	0.85
P154	0.96	0.95	0.93	0.91	0.88	0.84	0.91	0.88	0.84
P155	0.96	0.95	0.94	0.91	0.87	0.83	0.91	0.87	0.83
P156	0.96	0.95	0.93	0.91	0.87	0.83	0.91	0.87	0.83

* Also includes any custom (non-catalog) CCT



AEL Headquarters, One Lithonia Way, Conyers Georgia 30012
 www.americanelectriclighting.com Phone: 1-866-HOLOPHANE
 Email: TechSupport-Lighting@AcuityBrands.com
 © 2018-2024 Acuity Brands Lighting, Inc. All Rights Reserved. ATB Mic 04/16/24

Warranty Five-year limited warranty. This is the only warranty provided and no other statements in this specification sheet create any warranty of any kind. All other express and implied warranties are disclaimed. Complete warranty terms located at: www.acuitybrands.com/support/warranty/terms-and-conditions

Note: Actual performance may differ as a result of end-user environment and application. All values are design or typical values, measured under laboratory conditions at 25 °C. Specifications subject to change without notice.
Please contact your sales representative for the latest product information.

Autobahn Series ATBMicro Roadway Lighting

B.U.G. Ratings

ATBMic	Distribution	2700K			3000K			4000/5000K		
		B	U	G	B	U	G	B	U	G
P101	R2	1	0	1	1	0	1	1	0	1
	R3	1	0	1	1	0	1	1	0	1
	R3L	1	0	1	1	0	1	1	0	1
	R4	1	0	1	1	0	1	1	0	1
	R5	2	0	1	2	0	1	2	0	1
P102	R2	1	0	1	1	0	1	1	0	1
	R3	1	0	1	1	0	1	1	0	1
	R3L	1	0	1	1	0	1	1	0	1
	R4	1	0	1	1	0	1	1	0	1
	R5	2	0	1	2	0	1	2	0	1
P103	R2	1	0	1	1	0	1	1	0	1
	R3	1	0	1	1	0	1	1	0	1
	R3L	1	0	1	1	0	1	1	0	1
	R4	1	0	1	1	0	1	1	0	1
	R5	3	0	1	3	0	1	3	0	1
P104	R2	1	0	1	1	0	1	1	0	1
	R3	1	0	1	1	0	1	1	0	1
	R3L	1	0	2	1	0	2	1	0	2
	R4	1	0	1	1	0	1	1	0	2
	R5	3	0	1	3	0	1	3	0	1
P105	R2	1	0	1	1	0	1	1	0	1
	R3	1	0	1	1	0	1	1	0	1
	R3L	1	0	2	1	0	2	1	0	2
	R4	1	0	2	1	0	2	1	0	2
	R5	3	0	1	3	0	1	3	0	1
P106	R2	1	0	1	2	0	2	2	0	2
	R3	1	0	1	1	0	1	1	0	2
	R3L	1	0	2	1	0	2	1	0	2
	R4	1	0	2	1	0	2	1	0	2
	R5	3	0	1	3	0	1	3	0	1
P151	R2	1	0	1	1	0	1	1	0	1
	R3	1	0	1	1	0	1	1	0	1
	R3L	1	0	1	1	0	1	1	0	1
	R5	3	0	1	3	0	1	3	0	1
P152	R2	1	0	1	1	0	1	1	0	1
	R3	1	0	1	1	0	1	1	0	1
	R3L	1	0	2	1	0	2	1	0	2
	R5	3	0	1	3	0	1	3	0	1
P153	R2	1	0	1	1	0	1	1	0	1
	R3	1	0	1	1	0	1	1	0	1
	R3L	1	0	2	1	0	2	1	0	2
	R5	3	0	1	3	0	1	3	0	1
P154	R2	2	0	2	2	0	2	2	0	2
	R3	1	0	1	1	0	2	1	0	2
	R3L	1	0	2	1	0	2	1	0	2
	R5	3	0	1	3	0	2	3	0	2
P155	R2	2	0	2	2	0	2	2	0	2
	R3	1	0	2	1	0	2	1	0	2
	R3L	1	0	2	2	0	2	2	0	2
	R5	3	0	2	3	0	2	3	0	2
P156	R2	2	0	2	2	0	2	2	0	2
	R3	1	0	2	1	0	2	1	0	2
	R3L	2	0	2	2	0	2	2	0	2
	R5	3	0	2	3	0	2	3	0	2



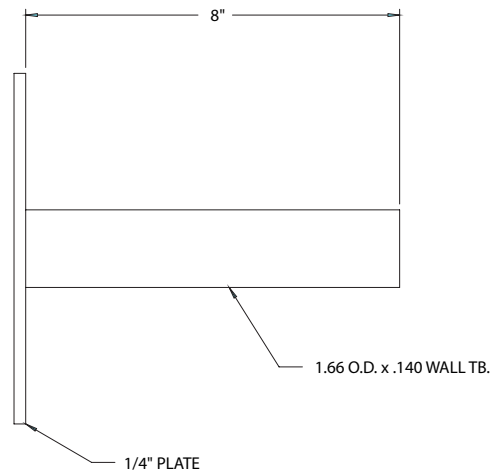
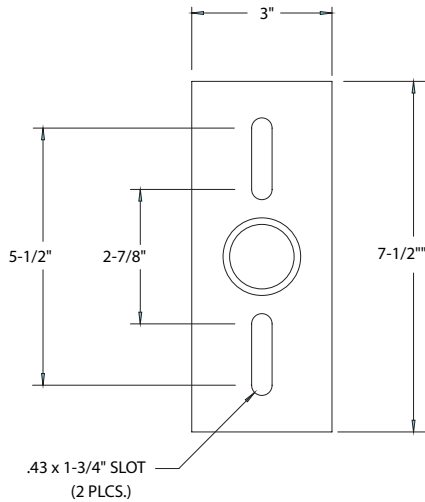
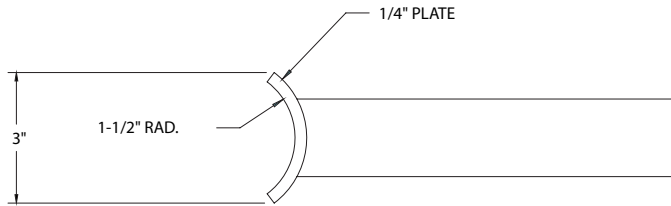
AEL Headquarters, One Lithonia Way, Conyers Georgia 30012
 www.americanelectriclighting.com Phone: 1-866-HOLOPHANE
 Email: TechSupport-Lighting@AcuityBrands.com
 © 2018-2024 Acuity Brands Lighting, Inc. All Rights Reserved. ATBMic 04/16/24

Warranty Five-year limited warranty. This is the only warranty provided and no other statements in this specification sheet create any warranty of any kind. All other express and implied warranties are disclaimed. Complete warranty terms located at: www.acuitybrands.com/support/warranty/terms-and-conditions
Note: Actual performance may differ as a result of end-user environment and application. All values are design or typical values, measured under laboratory conditions at 25 °C. Specifications subject to change without notice.
Please contact your sales representative for the latest product information.

Autobahn Series ATBMicro Roadway Lighting

UMR POLE ADAPTOR

RECOMMENDED FOR USE WITH POLES OF 4" DIAMETER OR SMALLER



UMS POLE ADAPTOR



AEL Headquarters, One Lithonia Way, Conyers Georgia 30012
www.americanelectriclighting.com Phone: 1-866-HOLOPHANE
Email: TechSupport-Lighting@AcuityBrands.com
© 2018-2024 Acuity Brands Lighting, Inc. All Rights Reserved. ATBMic 04/16/24

Warranty Five-year limited warranty. This is the only warranty provided and no other statements in this specification sheet create any warranty of any kind. All other express and implied warranties are disclaimed. Complete warranty terms located at: www.acuitybrands.com/support/warranty/terms-and-conditions
Note: Actual performance may differ as a result of end-user environment and application. All values are design or typical values, measured under laboratory conditions at 25 °C. Specifications subject to change without notice.
Please contact your sales representative for the latest product information.